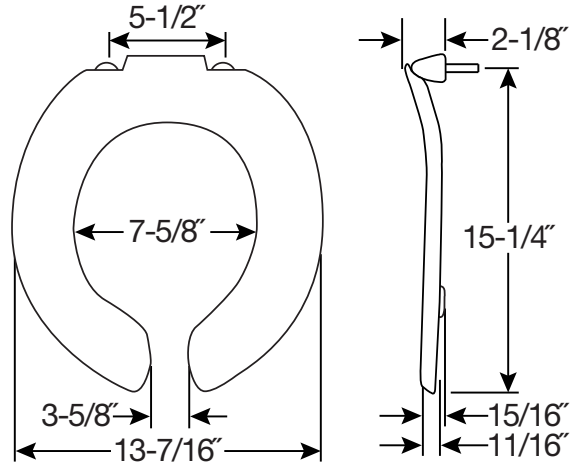


COMMERCIAL HEAVY-DUTY
PLASTIC TOILET SEAT



FEATURES:

- **STA-TITE® Commercial Fastening System™**
Eliminates callbacks for loosened seats
- **DuraGuard® Antimicrobial ***
Built-In Seat Protection™

SPECIFICATIONS:

- Size:** Baby / Toddler
- Material:** Plastic
- Style:** Open Front less Cover
- Ring Bumpers:** Two
- Hinges:** Plastic with Non-Corroding 300 Series Stainless Steel Posts and Pintles
- Hardware:** STA-TITE® Commercial Fastening System™

Codes & Standards:  Complies with IAPMO/ANSI Z124.5 Performance Standards Heavy-Duty Commercial

** DuraGuard Antimicrobial does not protect users against bacteria, viruses, or other disease organisms. Always clean and wash this product thoroughly before and after each use.*

